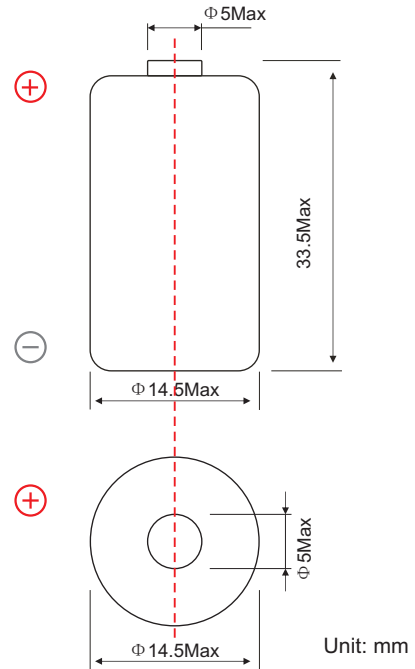
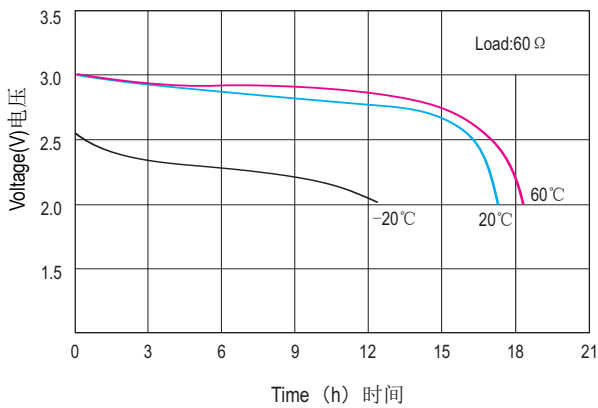


Characteristics 性能数据

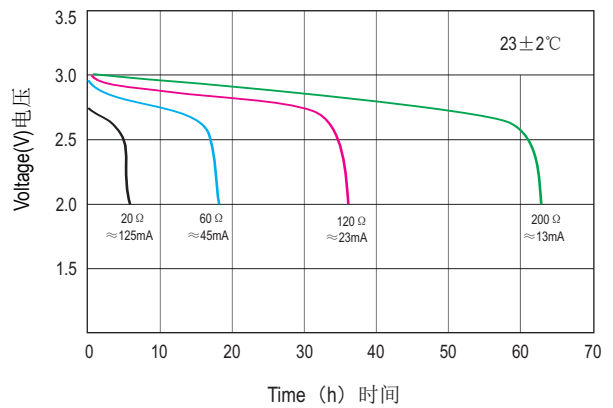
| | |
|---------------------------------|---------------|
| Nominal capacity(5mA-2.0v)..... | 800mAh |
| 标称容量 | |
| Nominal voltage..... | 3.0v |
| 额定电压 | |
| Max.constant current..... | 1000mA |
| 最大连续工作电流 | |
| Max.pulse current..... | 2000mA |
| 最大脉冲电流 | |
| Weight..... | 14g |
| 电池重量 | |
| Volume..... | Φ 14.5X33.5mm |
| 电池尺寸 | |
| Workable temperature..... | -40℃ ~ +60℃ |
| 工作温度 | |



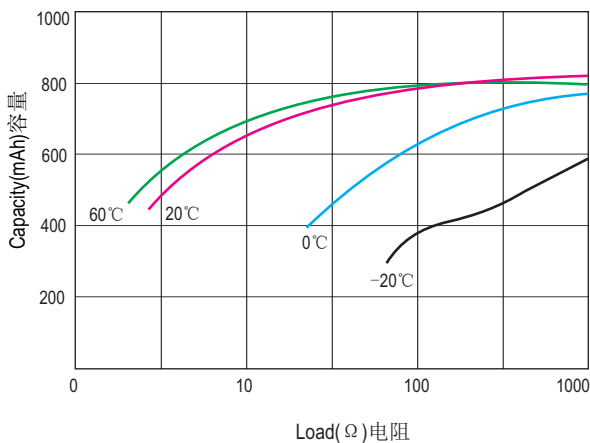
Temperature Characteristics 温度特性



Discharge Characteristics 常温负载特性



Load-Capacity Characteristics 容量\温度\电流



Storage characteristics 存储特性

